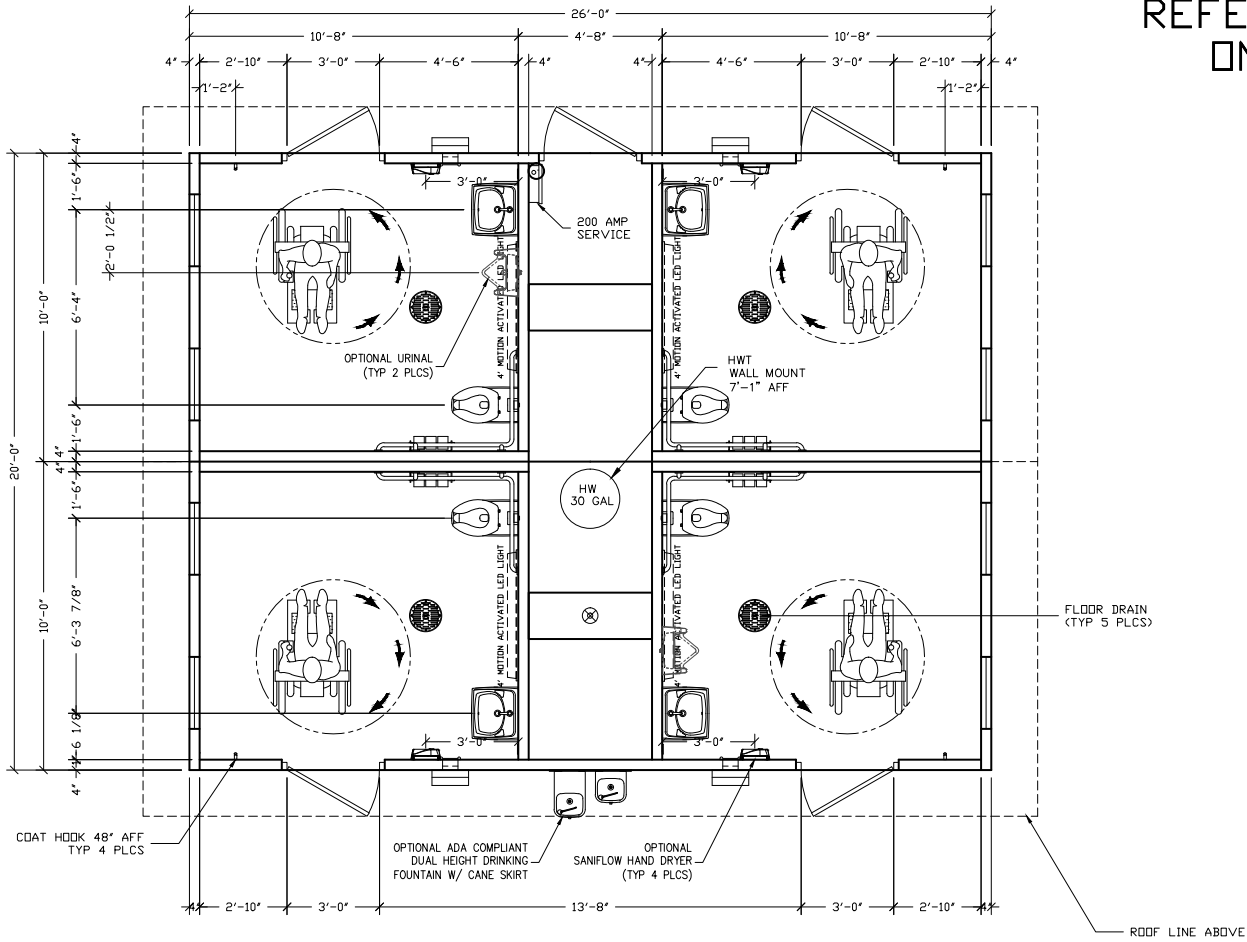


FOR  
REFERENCE  
ONLY



NOTES: 1. SEE DRAWING A-27 FOR SIZE AND LOCATION OF FLOOR BLOCKOUTS

3808 N. Sullivan Bldg. #7 Spokane, WA 99216

**CXT**  
Precast Products  
901 N. Highway 77 Hillsboro, TX 76645

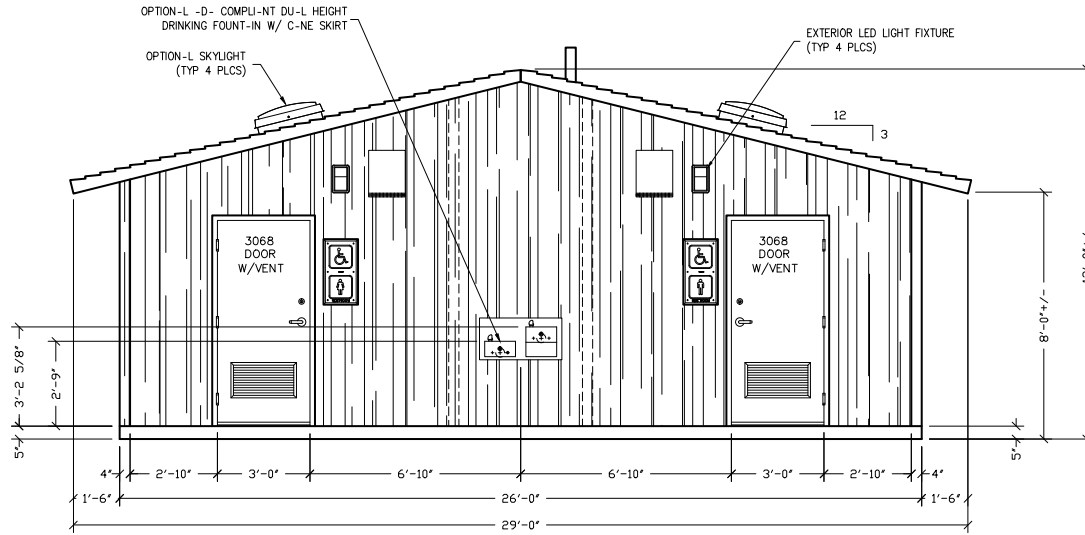
PROJECT TITLE  
**ARAPAHOE**  
CXT STANDARD BUILDING

NOTICE  
The information contained herein is proprietary and the exclusive property of CXT Incorporated. The information may only be used by the original recipient for the purpose intended. Reproduction or distribution of this information is strictly prohibited without the prior written consent of CXT Incorporated. By allowing use of this information, CXT Incorporated grants no warranty, express or implied, including a warranty of merchantability or of fitness for a particular purpose.

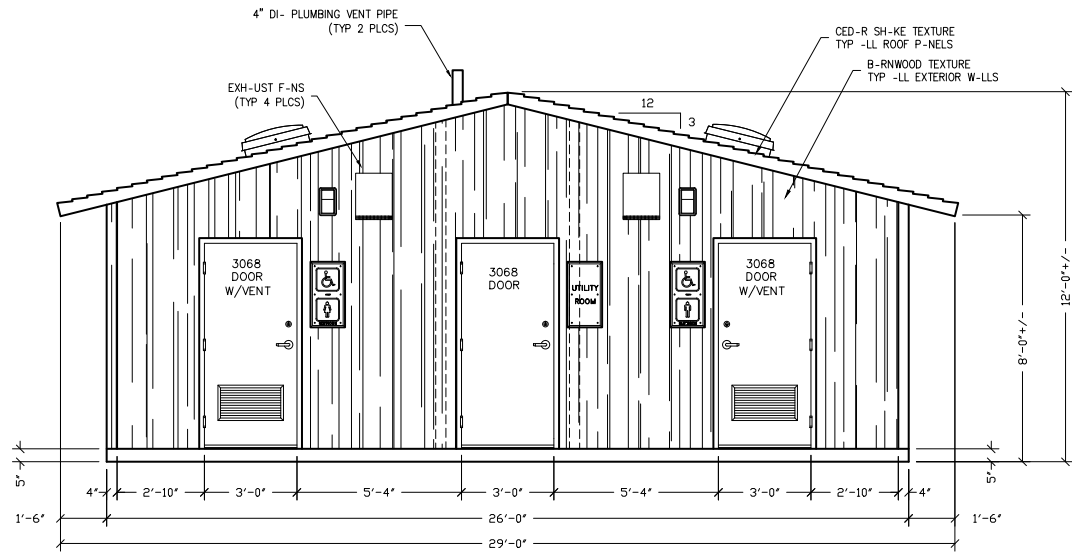
REV.	DESCRIPTION	DATE	APPROVED	DATE
SCALE	1/4"=1'-0"	DATE	04-30-18	
DRAWN	FILE NO.	90-A031		
CHECKED	PLOT	48		

FLOOR PLAN

DWG NO. SHEET REV.  
A-03



FRONT ELEVATION



REAR ELEVATION

FOR REFERENCE ONLY

3808 N. Sullivan Bldg, #7 Spokane, W- 99216



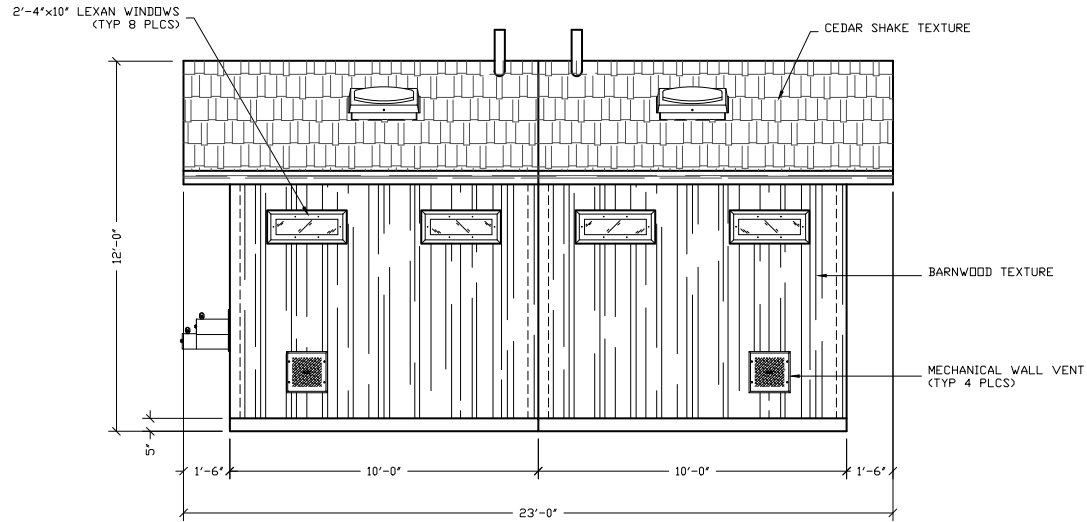
PROJECT FILE  
 -R-P-HOE  
 CXT ST-ND-RD BUILDING

NOTICE  
 The information contained herein is proprietary and the exclusive property of CXT Incorporated. The information may only be used by the original recipient for the purpose intended. Reproduction or distribution of this information is strictly prohibited without the prior written consent of CXT Incorporated. By allowing use of this information, CXT Incorporated grants no warranty, express or implied, including a warranty of merchantability or of fitness for a particular purpose.

REV.	DESCRIPTION	DATE	BY

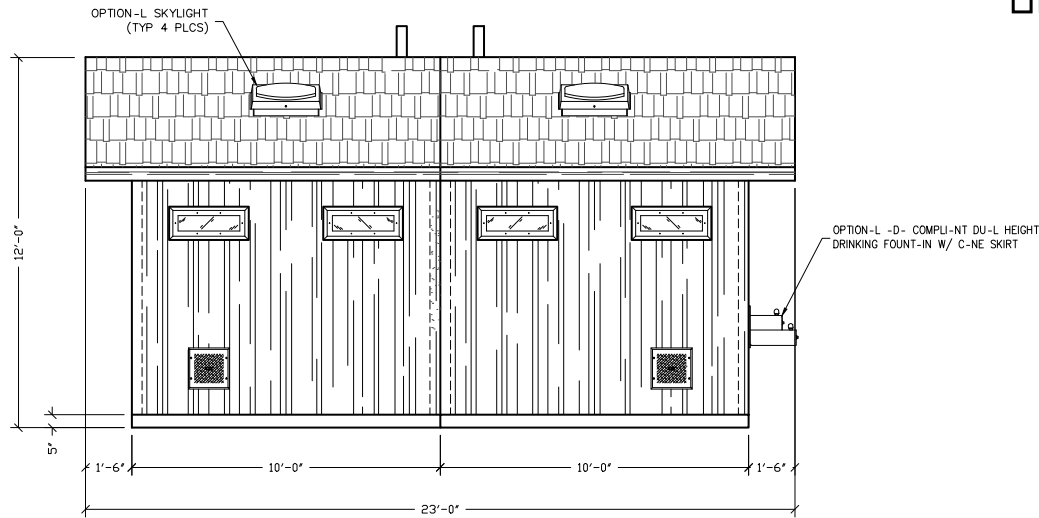
SCALE: 1/4"=1'-0" D. FILE NO. 04-30-16  
 DR. WIN. FILE NO. 00-04  
 CHECKED PLOT 48

BUILDING ELEVATIONS  
 DWG NO. SHEET REV.  
 A-04



**RH SIDE ELEVATION**

**FOR  
REFERENCE  
ONLY**



**LH SIDE ELEVATION**

3808 N. Sullivan Bldg, #7 Spokane, W- 99216



901 N. Highway 77 Hillsboro, TX 76645

PROJECT TITLE

**-R-P-HOE**

**CXT ST-ND-RD BUILDING**

NOTICE

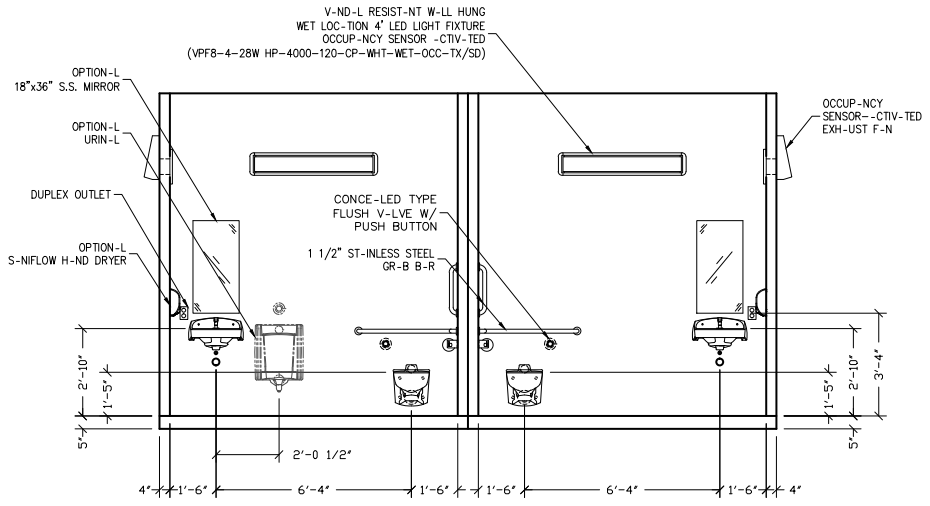
The information contained herein is proprietary and the exclusive property of CXT Incorporated. The information may only be used by the original recipient for the purpose intended. Reproduction or distribution of this information is strictly prohibited without the prior written consent of CXT Incorporated. By allowing use of this information, CXT Incorporated grants no warranty, express or implied, including a warranty of merchantability or of fitness for a particular purpose.

CXT Incorporated

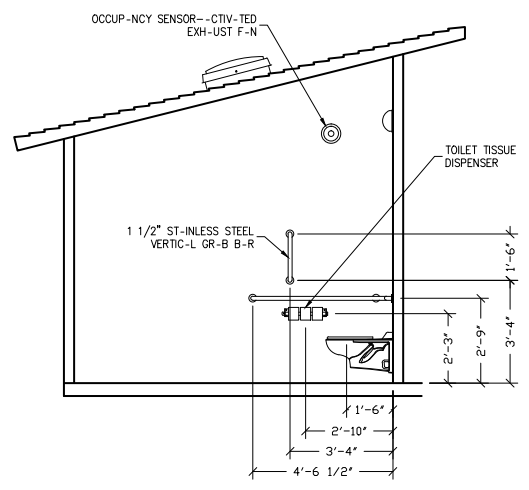

REV.	DESCRIPTION	DATE	BY
SC-LE	1/4"=1'-0"	D. II.	04-30-16
DR-WN	FILE NO.	90-05	
CHECKED	PLOT	48	

**BUILDING ELEVATIONS**

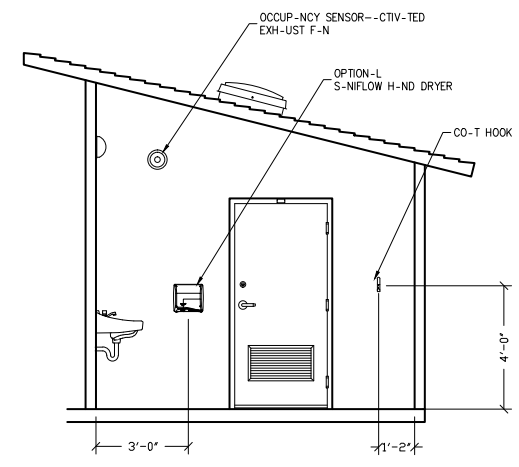
DWG NO.	SHEET	REV.
A-05		



FOR REFERENCE ONLY



INTERIOR ELEVATION



INTERIOR ELEVATION

3808 N. Sullivan Bldg, #7 Spokane, W- 99216  
**CXT**  
 Precast Products  
 901 N. Highway 77 Hillsboro, TX 76645

PROJECT TITLE  
**-R-P-HOE**  
**CXT ST-ND-RD BUILDING**

NOTICE  
 The information contained herein is proprietary and the exclusive property of CXT Incorporated. The information may only be used by the original recipient for the purpose intended. Reproduction or distribution of this information is strictly prohibited without the prior written consent of CXT Incorporated. By allowing use of this information, CXT Incorporated grants no warranty, express or implied, including a warranty of merchantability or of fitness for a particular purpose.

REV.	DESCRIPTION	DATE	BY

SCALE: 1/4"=1'-0"  
 DR-WIN FILE NO. 04-30-16  
 CHECKED PLOT 00-04

INTERIOR ELEVATIONS  
 DWG NO. SHEET REV.  
**A-06**